



## Product Features

The GF (General Filtration) 1A1 (unpainted) and 1A1P (painted epoxy blue) filter housings are the workhorse of your pump seal flush line: necessary, reliable and cost effective. The all-metal, two piece construction of durable die cast aluminum can be found in almost every pump seal flush line in every boiler room you enter. The center post design allows for quick and easy cartridge change out. Rated for 125 psi @ 200 °F, the 1A1 filter housing is suitable for most pump seal applications.

## Advantages

- Durable die-cast aluminum construction gives long service-life
- Quick and simple cartridge change-out reduces maintenance time, lowering costs
- Drilled mounting pads in cover accept self-tapping screws
- Economical and easy protection of expensive pump seals

## Product Specifications

### Materials of Construction:

Head and Body: Die Cast Aluminum  
Center Post: Stainless Steel  
Head Gasket: Neoprene  
Cap Nut Gasket: Durlon

### Connections & Specifications

Inlet and Outlet: 3/8" NPTF  
Drain: 1/4" NPTF  
Weight (Empty): 1.75 lbs (0.8 kg)

## Operating Parameters

### Maximum Operating Pressure & Temperature:

125 psi @ 200°F

### Maximum Recommended Flow:

3 GPM (with GFP50U30 installed)

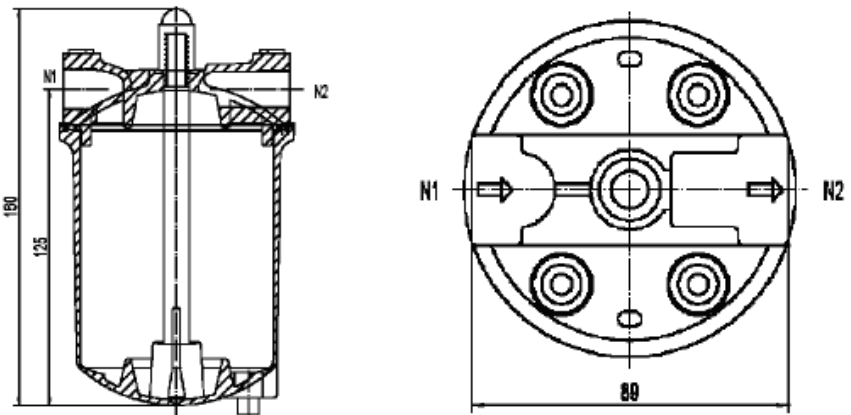


Figure 1: Drawings of 1A1 filter housing side view (left) and top view (right)

## Spare Parts:

- Cartridge: GFP50U30
- Shell Gasket: 63220-31
- Cover Gasket: 34240-45
- Cap Nut: 34262-31
- Sump: 63779-02
- Head: 63798-31

### CANADA WEST

3247 Roper Road NW  
Edmonton, AB T6P 0G1  
1-877-456-5760  
saleswc@vytal.ca  
[www.vytal.ca](http://www.vytal.ca)

### CANADA EAST

441 Applewood Crescent  
Concord, ON L4K 4J3  
1-888-233-1969  
salesec@vytal.ca  
[www.vytal.ca](http://www.vytal.ca)

### USA

345 E Tulare Ave  
Visalia, CA 93277  
1-424-222-7619  
saleswusa@vytalusa.com  
[www.vytalusa.com](http://www.vytalusa.com)